

DIAGRAM B

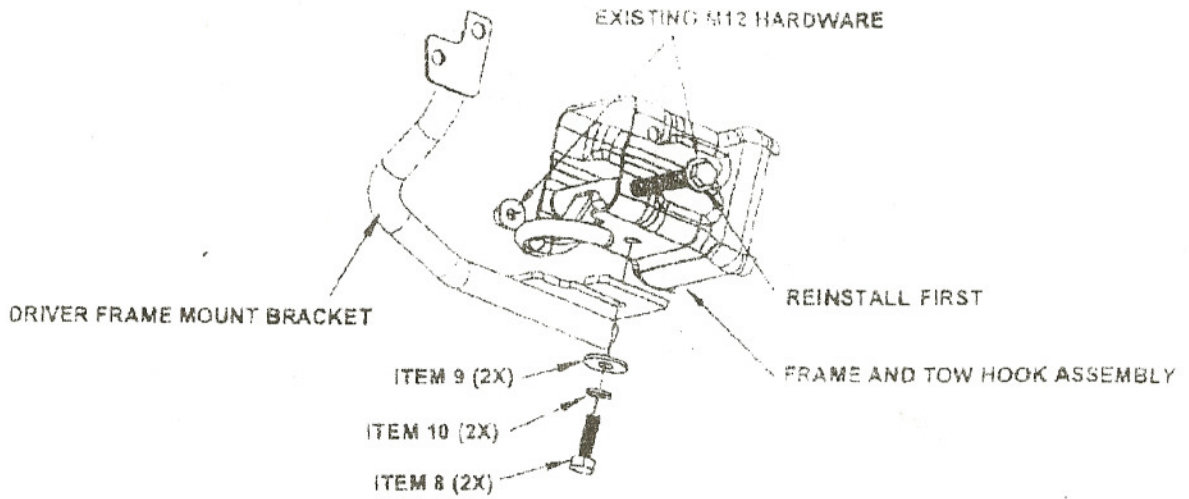


DIAGRAM C

